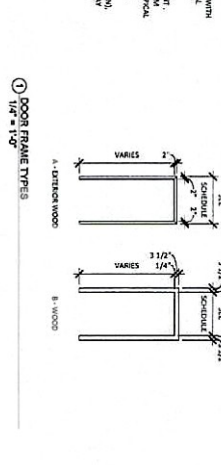
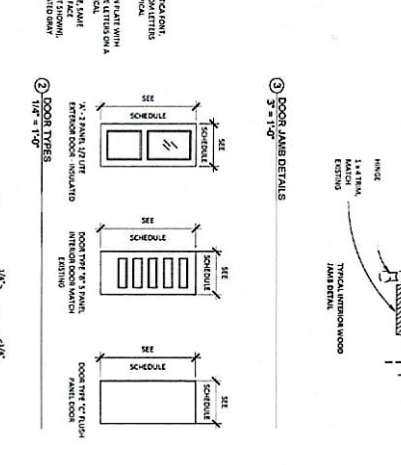
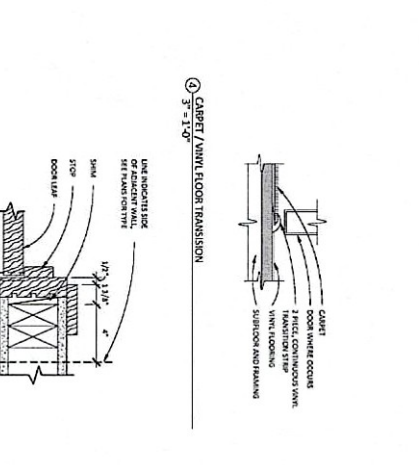
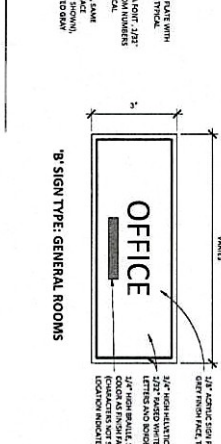
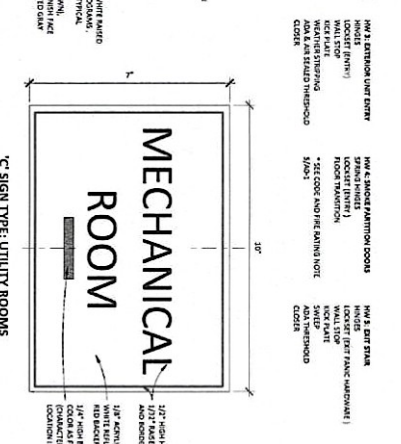
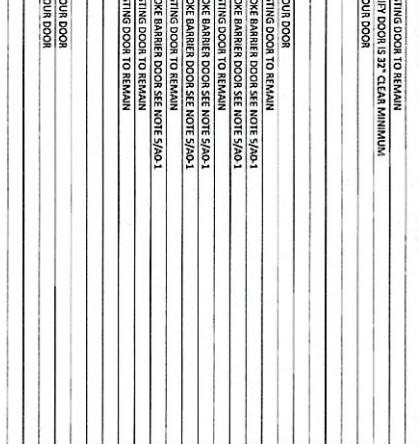
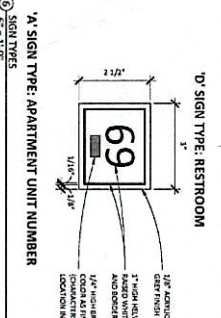
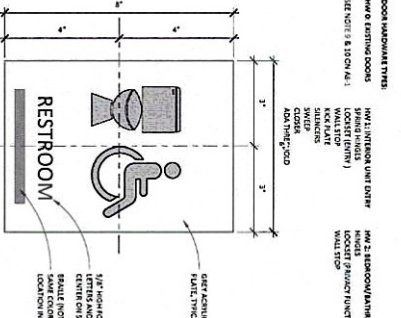
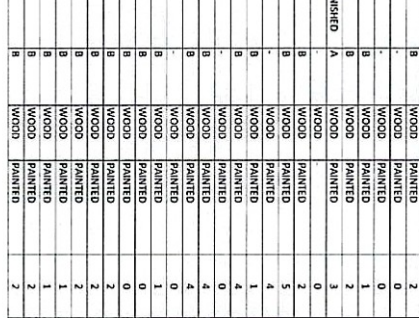
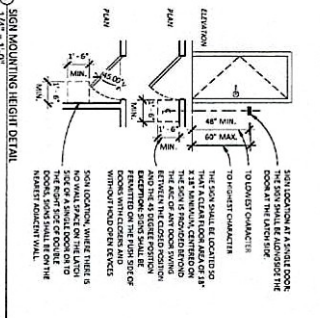
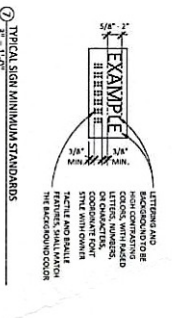
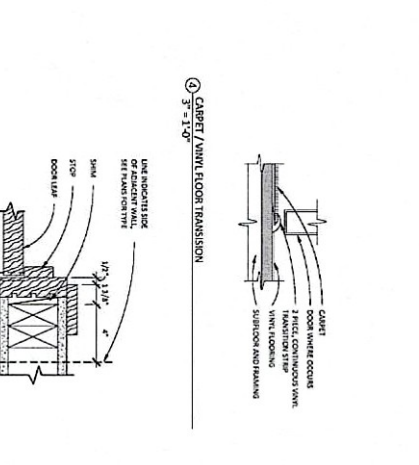


DOOR SCHEDULE

NO.	WIDTH	HEIGHT	THICKNESS	TYPE	DOOR PANEL			DOOR FRAME			HARDWARE	COMMENTS
					MATERIAL	FINISH	TYPE	MATERIAL	FINISH	TYPE		
100	3'-0"	6'-8"	0'-1.3/4"	WOOD	PAINTED	PAINTED	B	WOOD	PAINTED	0	VEHICLE DOOR IS 36" CLEAR MINIMUM	
101	2'-10"	6'-8"	0'-1.3/4"	WOOD	PAINTED	PAINTED	A	WOOD	PAINTED	0		
102	3'-0"	6'-8"	0'-1.3/4"	FIBREGLOSS	FACTORY FINISHED	PAINTED	B	WOOD	PAINTED	3		
103	2'-10"	6'-8"	0'-1.3/4"	WOOD	PAINTED	PAINTED	B	WOOD	PAINTED	2		
104	2'-0"	6'-8"	0'-1.3/4"	WOOD	PAINTED	PAINTED	B	WOOD	PAINTED	0	EXISTING DOOR TO REMAIN. FLIP DOOR SWING	
105	2'-10"	6'-8"	0'-1.3/4"	WOOD	PAINTED	PAINTED	B	WOOD	PAINTED	2		
106	2'-10"	6'-8"	0'-1.3/4"	WOOD	PAINTED	PAINTED	B	WOOD	PAINTED	1	1 HOUR DOOR	
107	2'-10"	6'-8"	0'-1.3/4"	WOOD	PAINTED	PAINTED	B	WOOD	PAINTED	2	1 HOUR DOOR	
108	3'-0"	6'-8"	0'-1.3/4"	WOOD	PAINTED	PAINTED	B	WOOD	PAINTED	1	1 HOUR DOOR	
109	3'-0"	6'-8"	0'-1.3/4"	WOOD	PAINTED	PAINTED	B	WOOD	PAINTED	2	EXISTING DOOR TO REMAIN	
110	2'-10"	6'-8"	0'-1.3/4"	WOOD	PAINTED	PAINTED	B	WOOD	PAINTED	0	EXISTING DOOR TO REMAIN	
111	3'-0"	6'-8"	0'-1.3/4"	WOOD	PAINTED	PAINTED	B	WOOD	PAINTED	1	EXISTING DOOR TO REMAIN	
112	2'-10"	6'-8"	0'-1.3/4"	WOOD	PAINTED	PAINTED	B	WOOD	PAINTED	2	EXISTING DOOR TO REMAIN	
113	2'-10"	6'-8"	0'-1.3/4"	WOOD	PAINTED	PAINTED	B	WOOD	PAINTED	1	1 HOUR DOOR	
114	3'-0"	6'-8"	0'-1.3/4"	WOOD	PAINTED	PAINTED	B	WOOD	PAINTED	3	EXISTING DOOR TO REMAIN	
115	2'-10"	6'-8"	0'-1.3/4"	WOOD	PAINTED	PAINTED	B	WOOD	PAINTED	0	EXISTING DOOR TO REMAIN	
200	2'-10"	6'-8"	0'-1.3/4"	WOOD	PAINTED	PAINTED	B	WOOD	PAINTED	5	1 HOUR DOOR	
201	2'-10"	6'-8"	0'-1.3/4"	WOOD	PAINTED	PAINTED	B	WOOD	PAINTED	4	EXISTING DOOR TO REMAIN	
202	2'-10"	6'-8"	0'-1.3/4"	WOOD	PAINTED	PAINTED	B	WOOD	PAINTED	1	SMOKE BARRIER DOOR-SEE NOTE 5/A0.1	
203	2'-0"	6'-8"	0'-1.3/4"	WOOD	PAINTED	PAINTED	B	WOOD	PAINTED	4	EXISTING DOOR TO REMAIN	
204	2'-0"	6'-8"	0'-1.3/4"	WOOD	PAINTED	PAINTED	B	WOOD	PAINTED	4	EXISTING DOOR TO REMAIN	
205	2'-6"	6'-8"	0'-1.3/4"	WOOD	PAINTED	PAINTED	B	WOOD	PAINTED	4	SMOKE BARRIER DOOR-SEE NOTE 5/A0.1	
206	2'-6"	6'-8"	0'-1.3/4"	WOOD	PAINTED	PAINTED	B	WOOD	PAINTED	4	SMOKE BARRIER DOOR-SEE NOTE 5/A0.1	
207	2'-6"	6'-8"	0'-1.3/4"	WOOD	PAINTED	PAINTED	B	WOOD	PAINTED	0	EXISTING DOOR TO REMAIN	
208	2'-10"	6'-8"	0'-1.3/4"	WOOD	PAINTED	PAINTED	B	WOOD	PAINTED	1	SMOKE BARRIER DOOR-SEE NOTE 5/A0.1	
209	2'-6"	6'-8"	0'-1.3/4"	WOOD	PAINTED	PAINTED	B	WOOD	PAINTED	0	EXISTING DOOR TO REMAIN	
209A	2'-0"	6'-8"	0'-1.3/4"	WOOD	PAINTED	PAINTED	B	WOOD	PAINTED	0	EXISTING DOOR TO REMAIN	
210	2'-10"	6'-8"	0'-1.3/4"	WOOD	PAINTED	PAINTED	B	WOOD	PAINTED	2	EXISTING DOOR TO REMAIN	
211	2'-10"	6'-8"	0'-1.3/4"	WOOD	PAINTED	PAINTED	B	WOOD	PAINTED	2	EXISTING DOOR TO REMAIN	
212	2'-10"	6'-8"	0'-1.3/4"	WOOD	PAINTED	PAINTED	B	WOOD	PAINTED	2	1 HOUR DOOR	
213	2'-10"	6'-8"	0'-1.3/4"	WOOD	PAINTED	PAINTED	B	WOOD	PAINTED	1	1 HOUR DOOR	
215	2'-10"	6'-8"	0'-1.3/4"	WOOD	PAINTED	PAINTED	B	WOOD	PAINTED	1	1 HOUR DOOR	
216	2'-10"	6'-8"	0'-1.3/4"	WOOD	PAINTED	PAINTED	B	WOOD	PAINTED	2	EXISTING DOOR TO REMAIN	
217	2'-10"	6'-8"	0'-1.3/4"	WOOD	PAINTED	PAINTED	B	WOOD	PAINTED	2	EXISTING DOOR TO REMAIN	

DOOR SCHEDULE NOTES:
 1. REFER TO SCHEDULE FOR ALL DIMENSIONS, FINISHES, AND HARDWARE. REFER TO THE SCHEDULE FOR ALL DIMENSIONS, FINISHES, AND HARDWARE.
 2. REFER TO SCHEDULE FOR ALL DIMENSIONS, FINISHES, AND HARDWARE. REFER TO THE SCHEDULE FOR ALL DIMENSIONS, FINISHES, AND HARDWARE.
 3. REFER TO SCHEDULE FOR ALL DIMENSIONS, FINISHES, AND HARDWARE. REFER TO THE SCHEDULE FOR ALL DIMENSIONS, FINISHES, AND HARDWARE.
 4. REFER TO SCHEDULE FOR ALL DIMENSIONS, FINISHES, AND HARDWARE. REFER TO THE SCHEDULE FOR ALL DIMENSIONS, FINISHES, AND HARDWARE.
 5. REFER TO SCHEDULE FOR ALL DIMENSIONS, FINISHES, AND HARDWARE. REFER TO THE SCHEDULE FOR ALL DIMENSIONS, FINISHES, AND HARDWARE.
 6. REFER TO SCHEDULE FOR ALL DIMENSIONS, FINISHES, AND HARDWARE. REFER TO THE SCHEDULE FOR ALL DIMENSIONS, FINISHES, AND HARDWARE.
 7. REFER TO SCHEDULE FOR ALL DIMENSIONS, FINISHES, AND HARDWARE. REFER TO THE SCHEDULE FOR ALL DIMENSIONS, FINISHES, AND HARDWARE.
 8. REFER TO SCHEDULE FOR ALL DIMENSIONS, FINISHES, AND HARDWARE. REFER TO THE SCHEDULE FOR ALL DIMENSIONS, FINISHES, AND HARDWARE.
 9. REFER TO SCHEDULE FOR ALL DIMENSIONS, FINISHES, AND HARDWARE. REFER TO THE SCHEDULE FOR ALL DIMENSIONS, FINISHES, AND HARDWARE.
 10. REFER TO SCHEDULE FOR ALL DIMENSIONS, FINISHES, AND HARDWARE. REFER TO THE SCHEDULE FOR ALL DIMENSIONS, FINISHES, AND HARDWARE.
 11. REFER TO SCHEDULE FOR ALL DIMENSIONS, FINISHES, AND HARDWARE. REFER TO THE SCHEDULE FOR ALL DIMENSIONS, FINISHES, AND HARDWARE.
 12. REFER TO SCHEDULE FOR ALL DIMENSIONS, FINISHES, AND HARDWARE. REFER TO THE SCHEDULE FOR ALL DIMENSIONS, FINISHES, AND HARDWARE.
 13. REFER TO SCHEDULE FOR ALL DIMENSIONS, FINISHES, AND HARDWARE. REFER TO THE SCHEDULE FOR ALL DIMENSIONS, FINISHES, AND HARDWARE.
 14. REFER TO SCHEDULE FOR ALL DIMENSIONS, FINISHES, AND HARDWARE. REFER TO THE SCHEDULE FOR ALL DIMENSIONS, FINISHES, AND HARDWARE.
 15. REFER TO SCHEDULE FOR ALL DIMENSIONS, FINISHES, AND HARDWARE. REFER TO THE SCHEDULE FOR ALL DIMENSIONS, FINISHES, AND HARDWARE.
 16. REFER TO SCHEDULE FOR ALL DIMENSIONS, FINISHES, AND HARDWARE. REFER TO THE SCHEDULE FOR ALL DIMENSIONS, FINISHES, AND HARDWARE.
 17. REFER TO SCHEDULE FOR ALL DIMENSIONS, FINISHES, AND HARDWARE. REFER TO THE SCHEDULE FOR ALL DIMENSIONS, FINISHES, AND HARDWARE.
 18. REFER TO SCHEDULE FOR ALL DIMENSIONS, FINISHES, AND HARDWARE. REFER TO THE SCHEDULE FOR ALL DIMENSIONS, FINISHES, AND HARDWARE.
 19. REFER TO SCHEDULE FOR ALL DIMENSIONS, FINISHES, AND HARDWARE. REFER TO THE SCHEDULE FOR ALL DIMENSIONS, FINISHES, AND HARDWARE.
 20. REFER TO SCHEDULE FOR ALL DIMENSIONS, FINISHES, AND HARDWARE. REFER TO THE SCHEDULE FOR ALL DIMENSIONS, FINISHES, AND HARDWARE.



STUDIO NEXUS ARCHITECTS + PLANNERS
 802 275 5110 | studio@studionexus.com

Ledgeworks

GODDARD COLLEGE CAMPUS STUDIES BUILDING
 137 MYRON ROAD
 PLUMFIELD, VT 05667
 ISSUED FOR: PERMIT

ISSUE DATE: OCTOBER 01, 2023

DOOR SCHEDULE & DETAILS

SCALE: As Indicated
PROJECT NUMBER: 2432.3
A8-1